

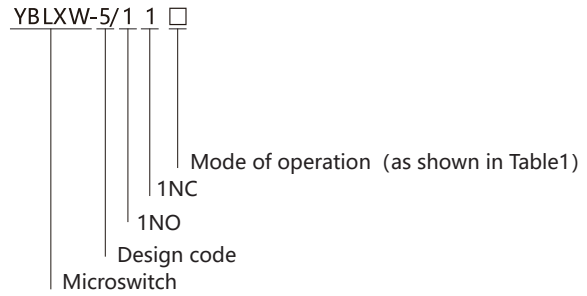


YBLXW-5 Microswitch

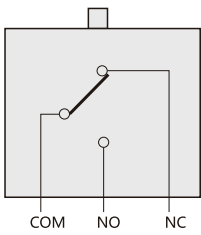
1. General

YBLXW-5 series micro switches are suitable for control circuit or auxiliary circuit of AC 50Hz (or 60Hz), voltage 380V and DC 220V, with applications including travel control, limit protection and interlocking of various mechanical equipment such as machinery, textile, light industry, and electronic instrument. Compliance standards: GB/T14048.5, IEC60947-5-1.

2. Type designation



Contact type



3. Technical data

Level of protection	IP52	
Operation frequency	20t/min	
Load	Ordinary type	AC-15 380V ; DC-13 220V
		AC-15 0.79A ; DC-13 0.14A
Speed of operation	0.1mm/s~0.5mm/s	
Contact resistance	≤ 100mΩ	
Environment temprature	-5°C ~+40°C	
Relative humidity	When the maximum temperature is +40°C , the relative humidity of the air shall not exceed 50%. High relative humidity is allowed at lower temperatures, for example 90% at 20 °C , and special measures should be taken for occasional condensation due to temperature changes.	
Altitude	≤ 2000m	
Installation conditions	Install in place without significant shaking and shock vibration.	
Installation category	II	
Pollution degree	class3	
Insulation voltage Ui	415V	
Rated impulse withstand voltage Uimp	2.5KV	
Installation conditions	Install in place without significant shaking and shock vibration.	

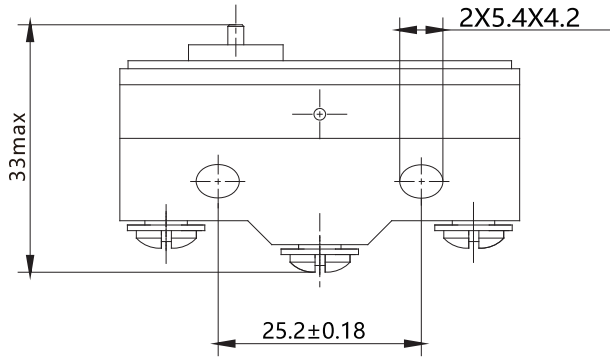
Model	Operating mode
YBLXW-5/11Z	Handspike plunger type
YBLXW-5/11N2	Compression bar type
YBLXW-5/11G2	Roller compression bar type
YBLXW-5/11D1	Short spring-loaded plunger type
YBLXW-5/11M	Panel mounting plunger type
YBLXW-5/11Q1	Panel mounting roller plunger type
YBLXW-5/11Q2	Panel mounting landscape roller plunger type
YBLXW-5/11N1	Hinge rail type
YBLXW-5/11G1	Hinge roller long rail type
YBLXW-5/11G2277	Double hinged single direction roller short cross bar type
YBLXW-5/11G3	Hinged one-way roller long cross bar type
YBLXW-5/11GS	Fine push rod type

Performance characteristic	Model							
	YBLXW-5/11Z	YBLXW-5/11D1	YBLXW-5/11M	YBLXW-5/11Q1	YBLXW-5/11Q2	YBLXW-5/11GS	YBLXW-5/11G2277	
Movement(OF)	≤ 10N	≤ 10N	≤ 10N	≤ 10N	≤ 10N	≤ 10N	≤ 7N	
Movement route	< 1.2mm	< 3.2mm	1.2±0.9mm	1.2±0.9mm	1.2±0.9mm	1.5mm	3mm	
Total travel	1.5mm	3.5mm	4mm	4mm	4mm	1.8mm	3.5mm	

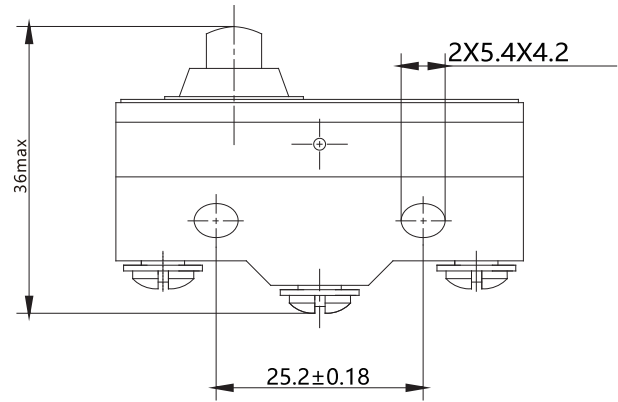
Performance characteristic	Model					
	YBLXW-5/11N1	YBLXW-5/11N2	YBLXW-5/11G1	YBLXW-5/11G2	YBLXW-5/11G3	
Movement(OF)	≤ 6N	≤ 7N	≤ 6N	≤ 7N	≤ 6N	
Movement route	≤ 12mm	≤ 6mm	≤ 8.5mm	≤ 4mm	7mm	
Total travel	13mm	7mm	9.5mm	5mm	8mm	

4. Overall and mounting dimensions

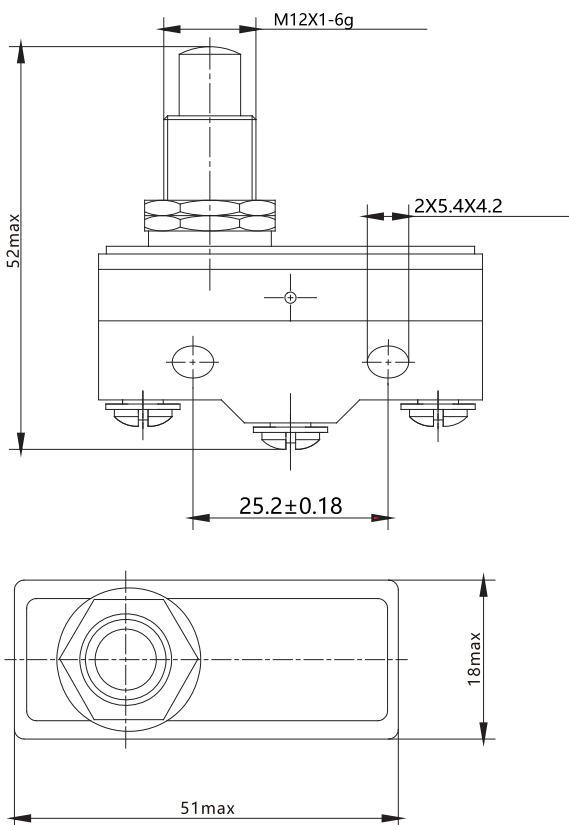
YBLXW-5/11Z



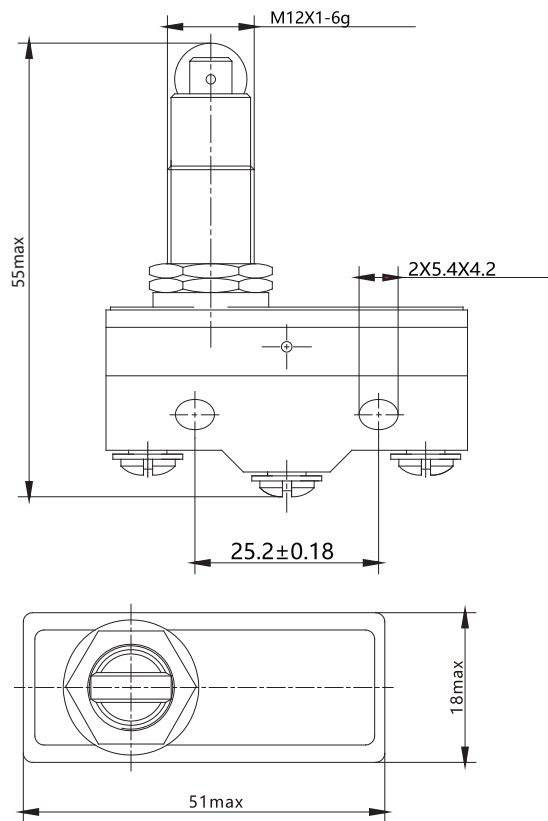
YBLXW-5/11D1



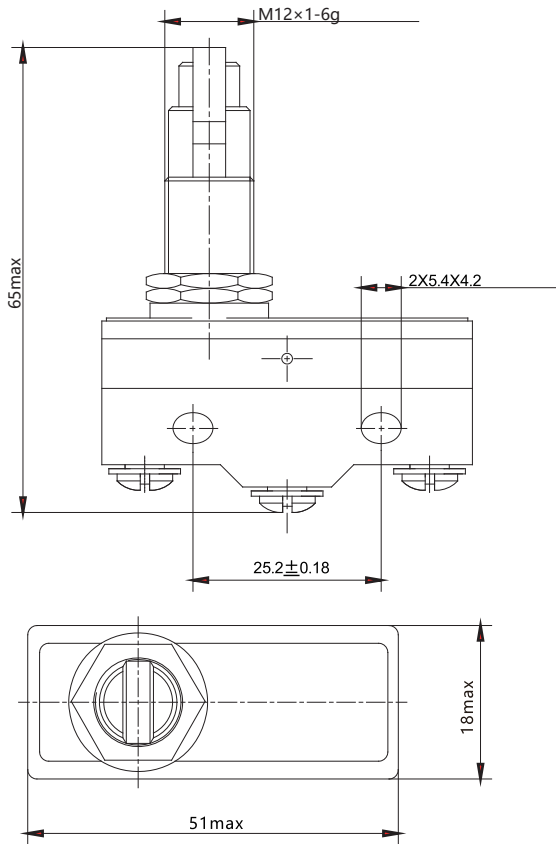
YBLXW-5/11M



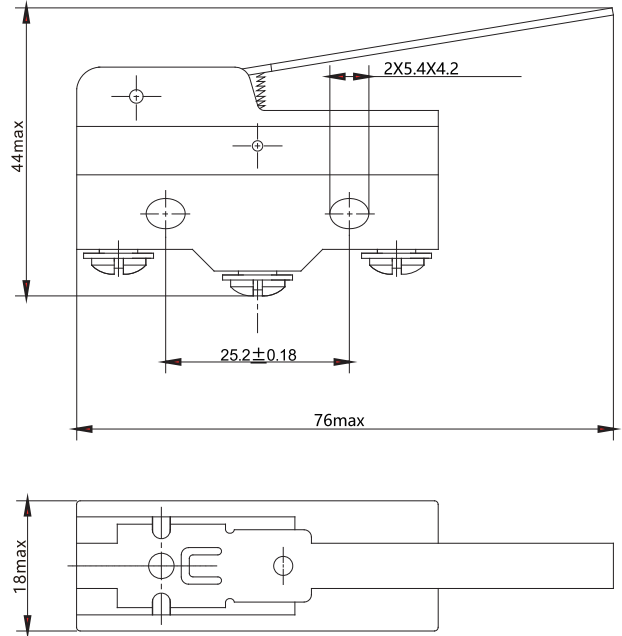
YBLXW-5/11Q1



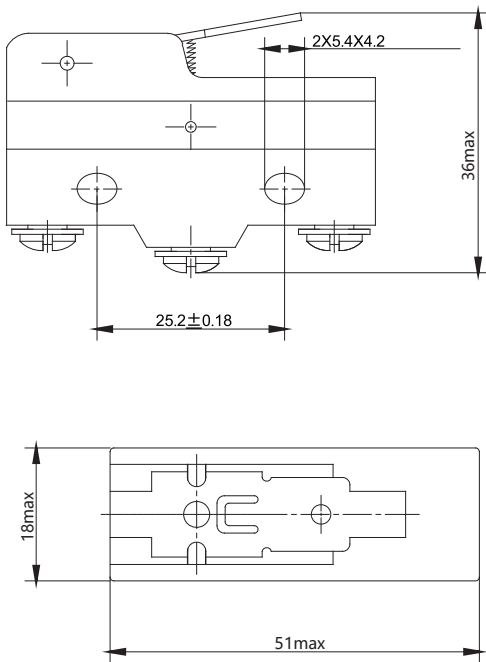
YBLXW-5/11Q2



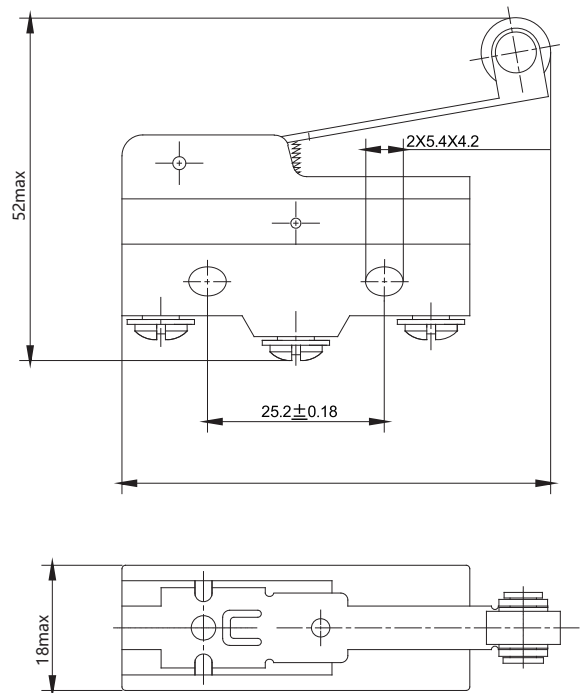
YBLXW-5/11N1



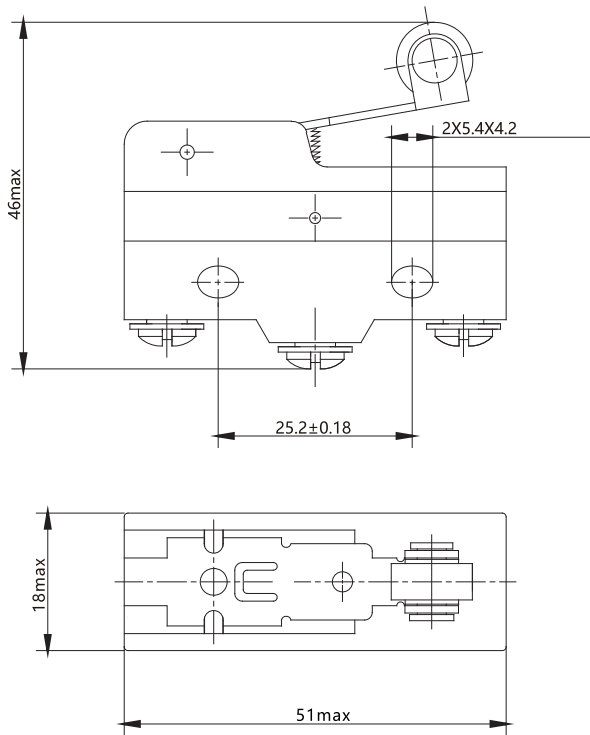
YBLXW-5/11N2



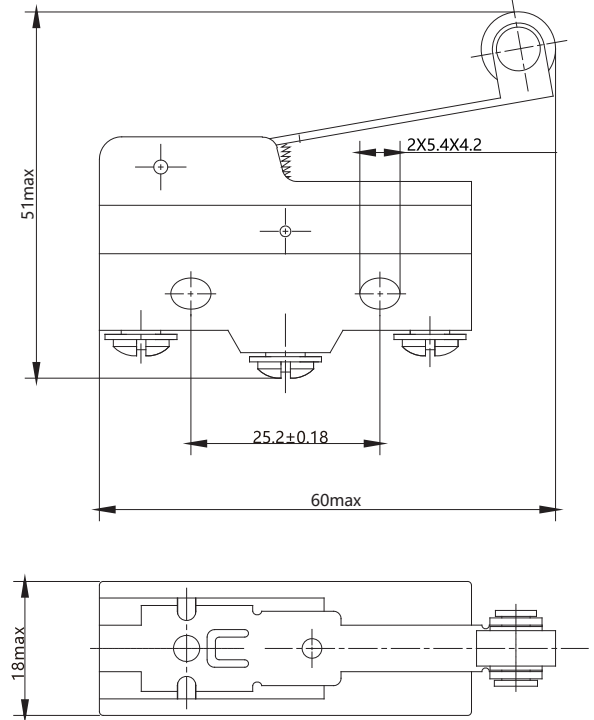
YBLXW-5/11G1



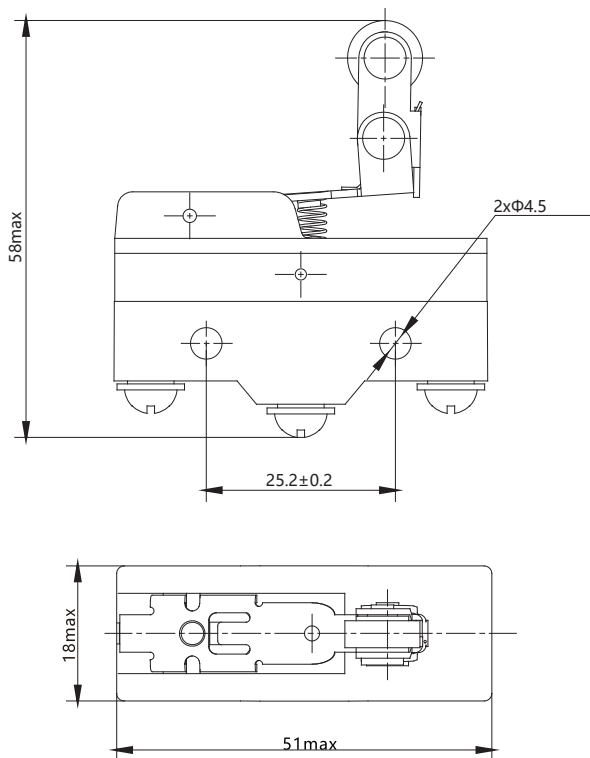
YBLXW-5/11G2



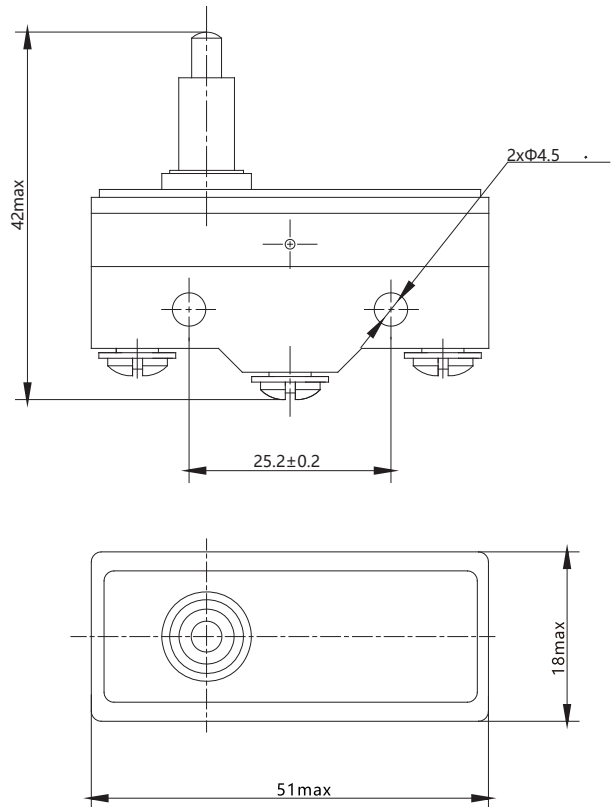
YBLXW-5/11G3



YBLXW-5/11G2277



YBLXW-5/11GS



5. Ordering information

- 5.2.1 Please do not use the product in places where exposed to hot water (above 40 degrees) or in water vapor.
- 5.2.2 Please do not directly immerse the product in oil or water.
- 5.2.3 Please install the product at location where vibration and impact will not be applied and in direction where resonance will not occur.
- 5.2.4 YBLXW-5/11N1, 5/11N2, 5/11G1, 5/11G2, 5/11G3, 5/11G2277 has six specifications of products with levers. Users may not adjust the levers by themselves during installation to prevent the products from malfunctioning such as non-operating.
- 5.2.5 It is not recommended to keep the product in pressing state for a long time, which may cause problems such as initial failure and poor reset. Please maintain and replace the product regularly.
- 5.2.6 The operation speed of the product shall not be extremely fast or slow.
 - 5.2.6.1 When the operation speed is very slow, the contact switching will be unstable, which may lead to poor contact or fusion welding and other problems.
 - 5.2.6.2 When the operation speed is very fast, the impact force of the action may destroy the switch; if the frequency is too high, the contact may not be able to switch.
 - 5.2.6.3 The product is not recommended to be used at light load (voltage, current) conditions, for small load may reduce contact reliability.