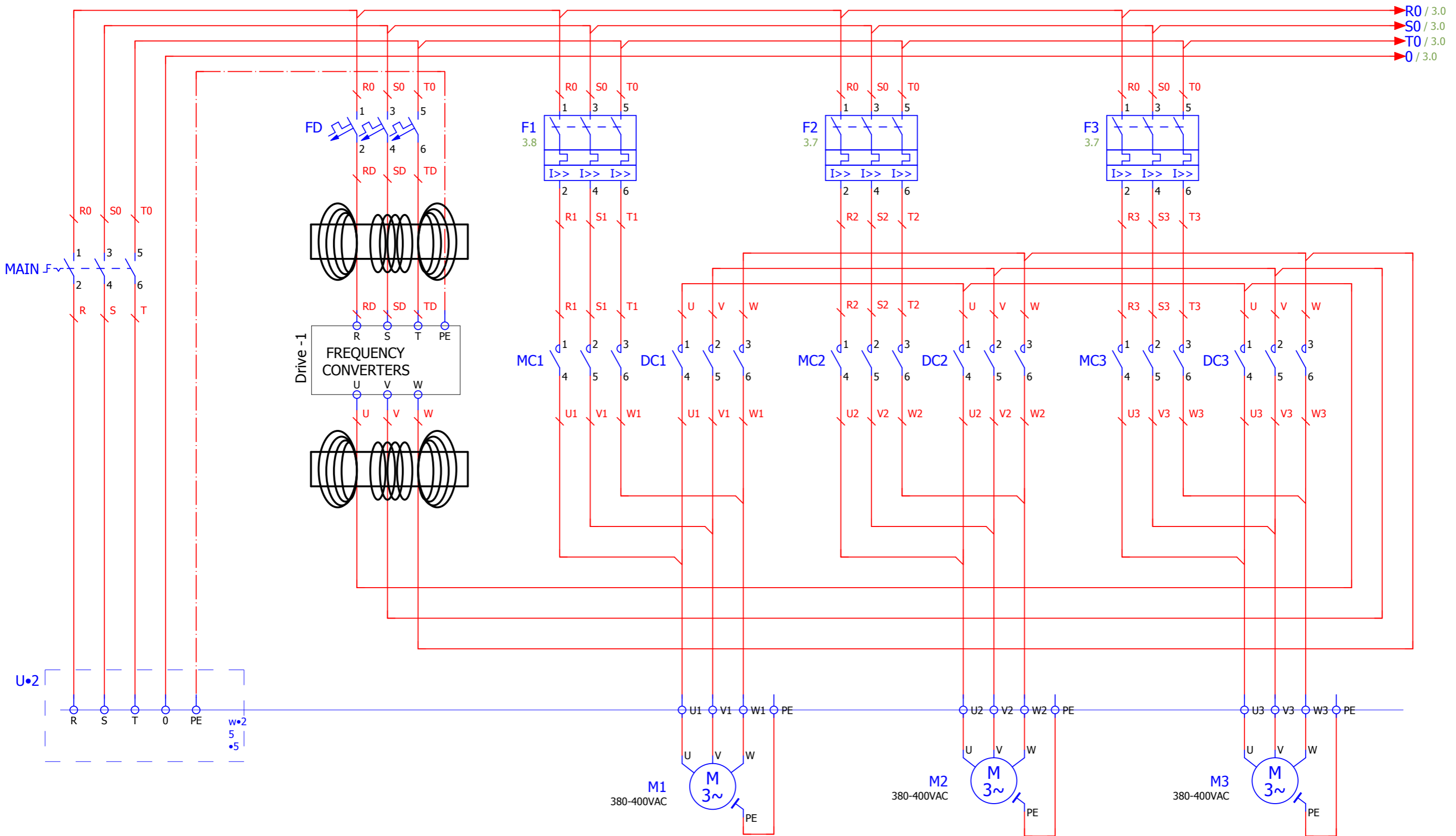


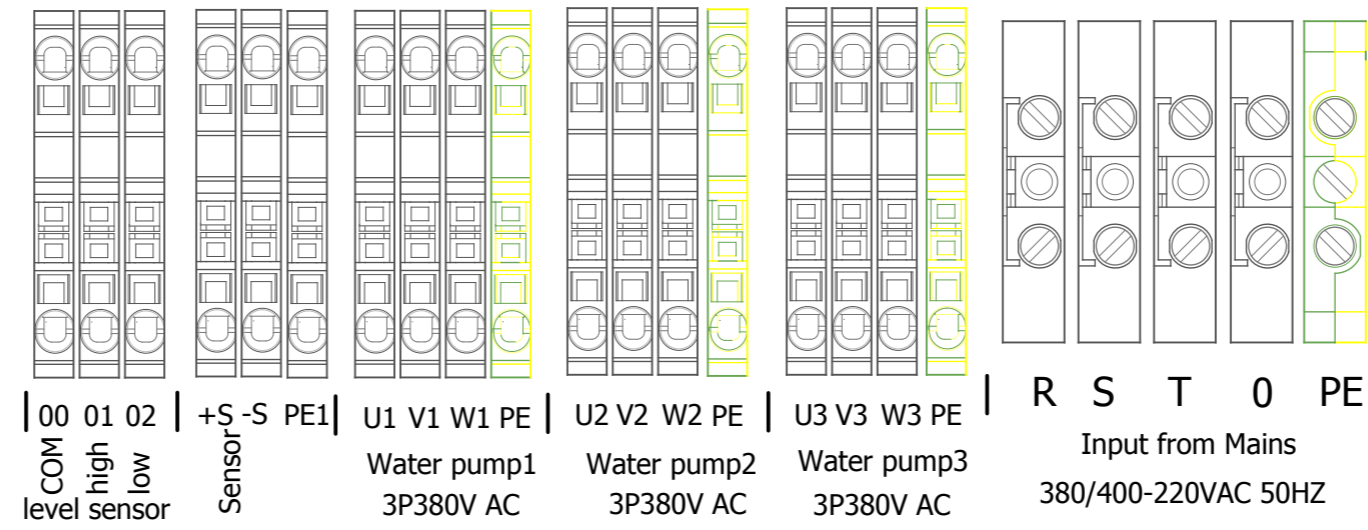
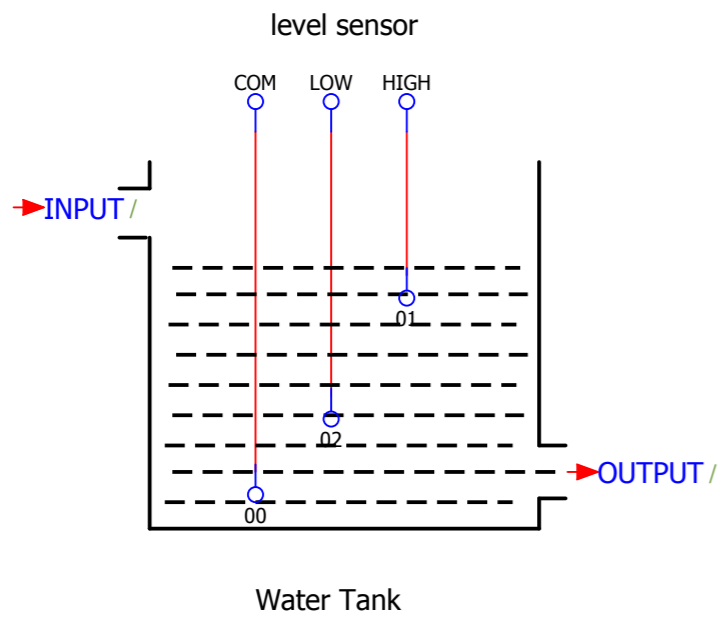
Customer	:	
Plant designation	:	
Drawing number	:	
Commission	:	
<hr/>		
Manufacturer (company)	:	
Path (x\eplan8\p)	:	
Project Serial Number:	:	
Project Name:	:	
Project Type:	:	3 Line, 1 Variable Line (Water Pump)
Mounting site	:	
Responsible for project	:	
Part feature	:	
<hr/>		
Changed on: 6/24/2017	from (Abbreviation):	Number of pages : 4



			Date	6/24/2017			ESSE003.SKE		=
			Ed.	ADMIN					+
			Appr						
Modification	Date	Name	Original		Replacement of	Replaced by			Page 1
									Page 1 / 4



			Date	6/24/2017				Serial Number:		=
			Ed.	ADMIN						+
			Appr							
Modification	Date	Name	Original		Replacement of	Replaced by			Page	2
									Page	2 / 4



3

Date	6/24/2017							Serial Number:		=
Ed.	ADMIN									+
Appr										
Modification	Date	Name	Original	Replacement of	Replaced by					Page 4 / 4